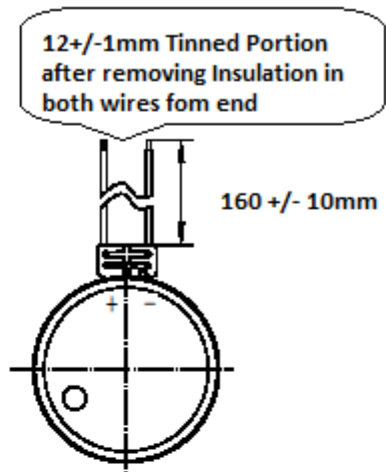
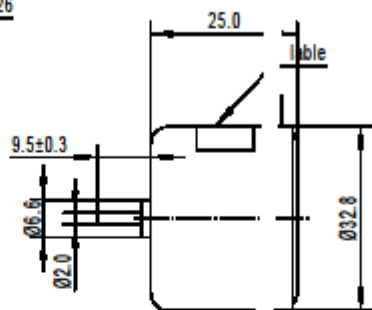




EG-530AD-2F MOTOR



MOTOR Specification(For Reference):

Operating voltage:12.0V DC

- 1、 No Load Speed:2400±8%rpm
- 2、 No Load Current:20mA (35mA max)

TITLE: EG-530AD-2F	Customer No:	Drafted By:	
		Checked By:	
Dwg. NO:2400-01	Date: 2014.05.13	Approved By:	
GINEE CORPORATION	Scale: 1:1	Units: mm	EDITION No: A
	 	Angular: =1° Decimal: X.XX ±0.05	
		X.X ±0.2	
		X ±0.1	